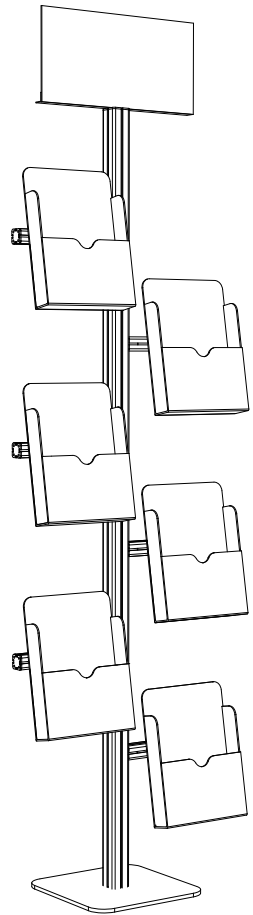
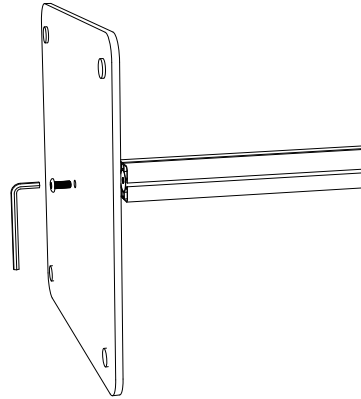


FD BROCHURE DISPENSER 2

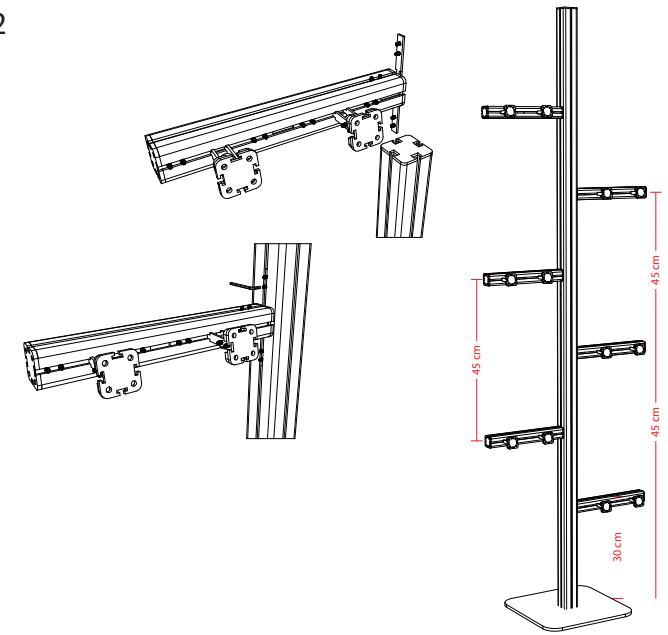
Flexi Display System



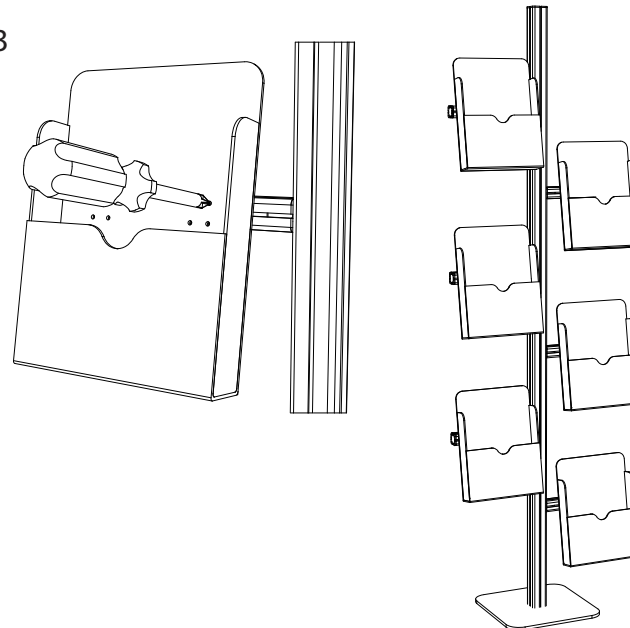
1



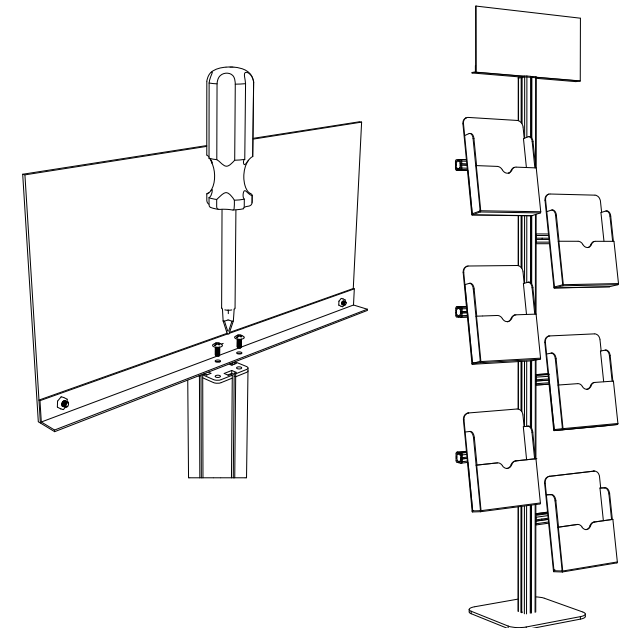
2



3



4



Komponen

- | | | | |
|---------------------|-------|------------------------------|-------|
| 1. Pole L-40 170 cm | 1 pcs | 4. Acrylic Clear Brochure A4 | 6 pcs |
| 2. Pole L-30 23 cm | 6 pcs | 5. Acrylic Header 40 x 20 cm | 1 pcs |
| 3. Base Plat Besi | 1 pcs | 6. Kunci L | 1 pcs |